



S E R V I C E

## PW SERIES PROOFERS

# CUSTOMER MAINTENANCE MANUAL



This manual is only intended for use by properly trained and qualified customer in-house maintenance for the limited procedures herein.

This manual is not intended to be all encompassing. You should read the maintenance or repair procedure you wish to perform, in its entirety, to determine if you have the necessary tools, instruments and skills required to perform the procedure. Procedures for which you do not have the necessary tools, instruments and skills should be performed by a trained Hobart Service technician.

The reproduction, transfer, sale, or other use of this manual, without the express written consent of Hobart Service, is prohibited.

# Specification Sheets

Click on image below for most recent edition.

[PW1E Proofer](#)

[PW1S Proofer](#)



Project: \_\_\_\_\_  
 Job #: \_\_\_\_\_  
 Box #: \_\_\_\_\_ Quantity: \_\_\_\_\_ C.S.I. Section: 15000



**PW1E**  
Single Wide Proof Box



**UL LISTED**

**SPECIFIER STATEMENT**  
 The proofer shall be of stainless steel construction, manufactured in the United States by Baxter HIG. The unit footprint shall be no wider than 25.75" and have two height options to meet the needs of the site and the project. Built using modular panel construction with cam lock attachment, the proofer shall incorporate flame insulation and gaskets to form a strong, energy efficient enclosure. Nonmetallic interior bumpers shall protect the interior on all sides.

The proofer shall include eye level, digital controls in the door and a patented air flow system. No ramp is required for this unit. The controls will independently set temperature and humidity for precise proofing control.

Four individual count-down timers for products with different time requirements shall be provided. The air flow system will include an internally mounted humbler. No rack cleaning is required. The proofer door shall be field reversible.

The proofer will bear the following agency approvals: UL for safety and sanitation for the U.S. and Canada.

**STANDARD FEATURES**

- Patented air flow system
- Easy access heat and humidity system
- Internally mounted
- No flushing required
- Field reversible door
- Eye-level digital control panel
- Set heat/humidity system
- Four independent timers
- Stainless steel interior and exterior
- Modular panel construction with cam lock attachment
- Field assembled - shipped knocked down
- Open floor - no ramp required
- 95.5" overall height to match rack oven

**OPTIONS & ACCESSORIES**

- Low profile, 90" overall height
- Stainless steel floor - no ramp required
- Interior light
- Prison package
- Slipper side trim - 1 or 2 sides

**MODEL CONFIGURATIONS**


- 46.5" - May be shipped assembled
- One Single End or Side Load Rack
- 48.5" -
  - Two Single End or Two Single Side Load Racks
- 50.5" -
  - Two Single End or Two Single Side Load Racks
- 52.5" -
  - Three Single End or Three Single Side Load Racks
- 54.5" -
  - Four Single End or Four Single Side Load Racks

Approved By: \_\_\_\_\_ Date: \_\_\_\_\_  
 Approved By: \_\_\_\_\_ Date: \_\_\_\_\_


Printed in U.S.A. BAXTER • 1920 State Route 742 East, Orling, OH, • 1-800-260-7090 • www.baxtersig.com 80000170200 Page 1 of 2



Project: \_\_\_\_\_  
 Job #: \_\_\_\_\_  
 Box #: \_\_\_\_\_ Quantity: \_\_\_\_\_ C.S.I. Section: 15000



**PW1S**  
Single Wide Proof Box



**UL LISTED**

**SPECIFIER STATEMENT**  
 The proofer shall be of stainless steel construction, manufactured in the United States by Baxter HIG. The unit footprint shall be no wider than 25.75" and have two height options to meet the needs of the site and the project. Built using modular panel construction with cam lock attachment, the proofer shall incorporate flame insulation and gaskets to form a strong, energy efficient enclosure. Nonmetallic interior bumpers shall protect the interior on all sides.

The proofer shall include eye level, digital controls in the door and a patented air flow system. No ramp is required for this unit. The controls will independently set temperature and humidity for precise proofing control. Four individual count-down timers for products with different time requirements shall be provided. The air flow system will include an internally mounted humbler. No rack cleaning is required. The proofer door shall be field reversible.

The proofer will bear the following agency approvals: UL for safety and sanitation for the U.S. and Canada.

**STANDARD FEATURES**

- Patented air flow system
- Easy access heat and humidity system
- Internally mounted
- No flushing required
- Field reversible door
- Eye-level digital control panel
- Set heat/humidity system
- Four independent timers
- Stainless steel interior and exterior
- Modular panel construction with cam lock attachment
- Field assembled - shipped knocked down
- Open floor - no ramp required
- 95.5" overall height to match rack oven

**OPTIONS & ACCESSORIES**

- Low profile, 90" overall height
- Stainless steel floor - no ramp required
- Interior light
- Prison package
- Slipper side trim - 1 or 2 sides

**MODEL CONFIGURATIONS**

- 46.5" - May be shipped assembled
- One Single End, Two Single Side, or One Double Side Load Racks
- 48.5" -
  - Two Single End, Three Single Side, or One Double Side Load Racks
- 50.5" -
  - Three Single End, Four Single Side, or Two Double Side Load Racks
- 52.5" -
  - Four Single End, Five Single Side, or Two Double Side Load Racks
- 54.5" -
  - Five Single End, Six Single Side, or Three Double Side Load Racks

Approved By: \_\_\_\_\_ Date: \_\_\_\_\_  
 Approved By: \_\_\_\_\_ Date: \_\_\_\_\_

Printed in U.S.A. BAXTER • 1920 State Route 742 East, Orling, OH, • 1-800-260-7090 • www.baxtersig.com 80000170200 Page 1 of 2

[PW2E Proofer](#)

[PW2S Proofer](#)



Project: \_\_\_\_\_  
 Job #: \_\_\_\_\_  
 Box #: \_\_\_\_\_ Quantity: \_\_\_\_\_ C.S.I. Section: 15000



**PW2E**  
Double Wide Proof Box



**UL LISTED**

**SPECIFIER STATEMENT**  
 The proofer shall be of stainless steel construction, manufactured in the United States by Baxter HIG. The unit footprint shall be no wider than 45.75" and have two height options to meet the needs of the site and the project. Built using modular panel construction with cam lock attachment, the proofer shall incorporate flame insulation and gaskets to form a strong, energy efficient enclosure. Nonmetallic interior bumpers shall protect the interior on all sides.

The proofer shall include eye level, digital controls in the door and a patented air flow system. No ramp is required for this unit. The controls will independently set temperature and humidity for precise proofing control. Four individual count-down timers for products with different time requirements shall be provided. The air flow system will include an internally mounted humbler. No rack cleaning is required. The door shall be hinged to an out to require a center latch, giving maximum access to the proofer interior.

The proofer will bear the following agency approvals: UL for safety and sanitation for the U.S. and Canada.

**STANDARD FEATURES**

- Patented air flow system
- Easy access heat and humidity system
- Internally mounted
- No flushing required
- Eye-level digital control panel
- Set heat/humidity system
- Four independent timers
- Stainless steel interior and exterior
- Modular panel construction with cam lock attachment
- Field assembled - shipped knocked down
- Open floor - no ramp required
- 95.5" overall height to match rack oven

**OPTIONS & ACCESSORIES**

- Low profile, 90" overall height
- Stainless steel floor - no ramp required
- Interior light
- Prison package
- Slipper side trim - 1 or 2 sides

**MODEL CONFIGURATIONS**

- 46.5" - May be shipped assembled
- Two Single End or Three Side Load Racks, or One Double Rack
- 48.5" -
  - Four Single End or Side Load Racks, or Two Double Racks
- 50.5" -
  - Five Single End or Six Side Load Racks, or Two Double Racks
- 52.5" -
  - Six Single End or Eight Side Load Racks, or Three Double Racks
- 54.5" -
  - Eight Single End or Ten Side Load Racks, or Three Double Racks

Approved By: \_\_\_\_\_ Date: \_\_\_\_\_  
 Approved By: \_\_\_\_\_ Date: \_\_\_\_\_

Printed in U.S.A. BAXTER • 1920 State Route 742 East, Orling, OH, • 1-800-260-7090 • www.baxtersig.com 80000170200 Page 1 of 2



Project: \_\_\_\_\_  
 Job #: \_\_\_\_\_  
 Box #: \_\_\_\_\_ Quantity: \_\_\_\_\_ C.S.I. Section: 15000



**PW2S**  
Double Wide Proof Box



**UL LISTED**

**SPECIFIER STATEMENT**  
 The proofer shall be of stainless steel construction, manufactured in the United States by Baxter HIG. The unit footprint shall be no wider than 45.75" and have two height options to meet the needs of the site and the project. Built using modular panel construction with cam lock attachment, the proofer shall incorporate flame insulation and gaskets to form a strong, energy efficient enclosure. Nonmetallic interior bumpers shall protect the interior on all sides.

The proofer shall include eye level, digital controls in the door and a patented air flow system. No ramp is required for this unit. The controls will independently set temperature and humidity for precise proofing control. Four individual count-down timers for products with different time requirements shall be provided. The air flow system will include an internally mounted humbler. No rack cleaning is required. The door shall be hinged to an out to require a center latch, giving maximum access to the proofer interior.

The proofer will bear the following agency approvals: UL for safety and sanitation for the U.S. and Canada.

**STANDARD FEATURES**

- Patented air flow system
- Easy access heat and humidity system
- Internally mounted
- No flushing required
- Eye-level digital control panel
- Set heat/humidity system
- Four independent timers
- Stainless steel interior and exterior
- Modular panel construction with cam lock attachment
- Field assembled - shipped knocked down
- Open floor - no ramp required
- 95.5" overall height to match rack oven

**OPTIONS & ACCESSORIES**

- Low profile, 90" overall height
- Stainless steel floor - no ramp required
- Interior light
- Prison package
- Slipper side trim - 1 or 2 sides

**MODEL CONFIGURATIONS**

- 46.5" - May be shipped assembled
- Three Single End or Four Side Racks, or Two Double Racks
- 48.5" -
  - Six Single End or Side Load Racks, or Two Double Racks
- 50.5" -
  - Eight Single End or Side Load Racks, or Four Double Racks
- 52.5" -
  - Nine Single End or Ten Side Load Racks, or Four Double Racks
- 54.5" -
  - Twelve Single End or Side Load Racks, or Six Double Racks

Approved By: \_\_\_\_\_ Date: \_\_\_\_\_  
 Approved By: \_\_\_\_\_ Date: \_\_\_\_\_

Printed in U.S.A. BAXTER • 1920 State Route 742 East, Orling, OH, • 1-800-260-7090 • www.baxtersig.com 80000170200 Page 1 of 2

Click on image below for most recent edition.

## PW3S Proofer



# Tools

## Standard

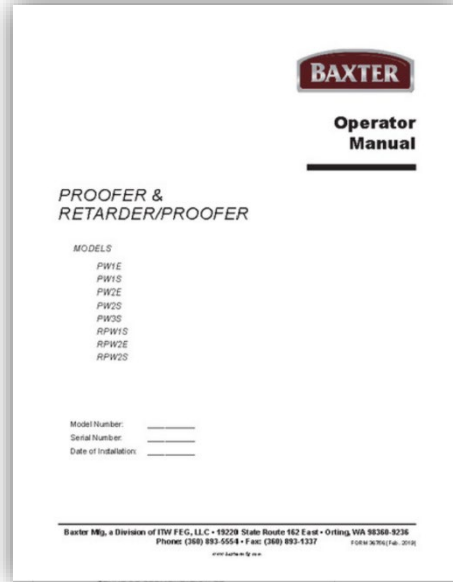
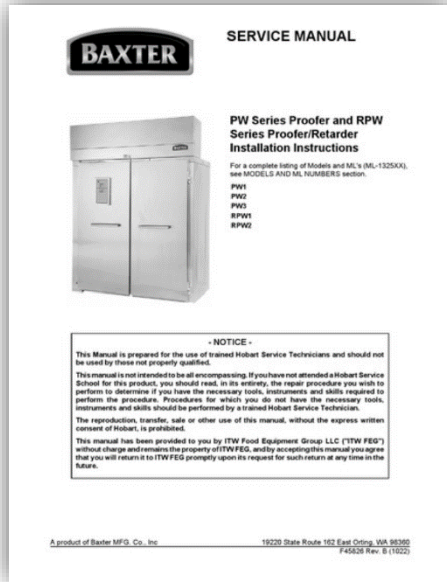
- Standard set of hand tools.

# Installation & Operation Manuals

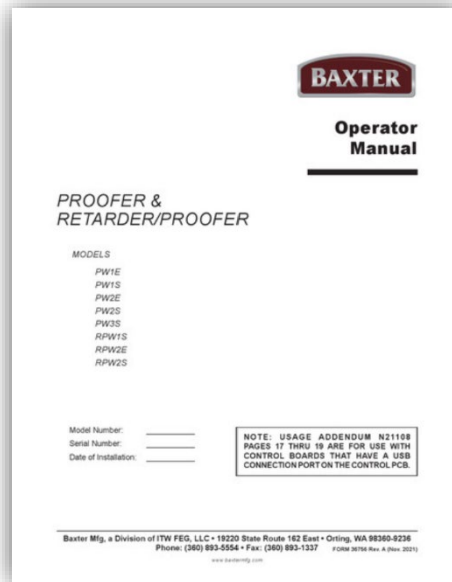
Click on image below for most recent edition.

[PW Proofer & RPW Retarder/Proofer  
Installation Instructions](#)

[PW Proofer & RPW Retarder/Proofer  
Operation Manual \(2019\)](#)



[PW Proofer & RPW Retarder/Proofer Operation Manual \(2021\)](#)



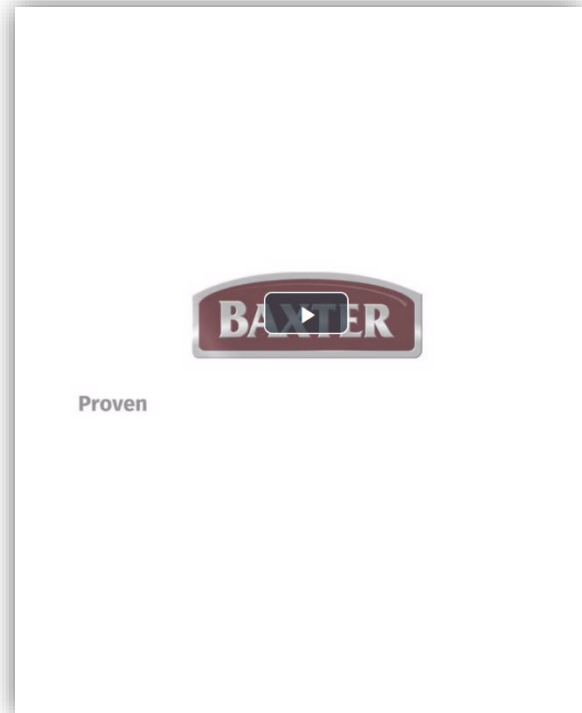
# Marketing Materials

Click on image below for most recent edition.

[Proofers and Retarder/Proofers  
Brochure](#)

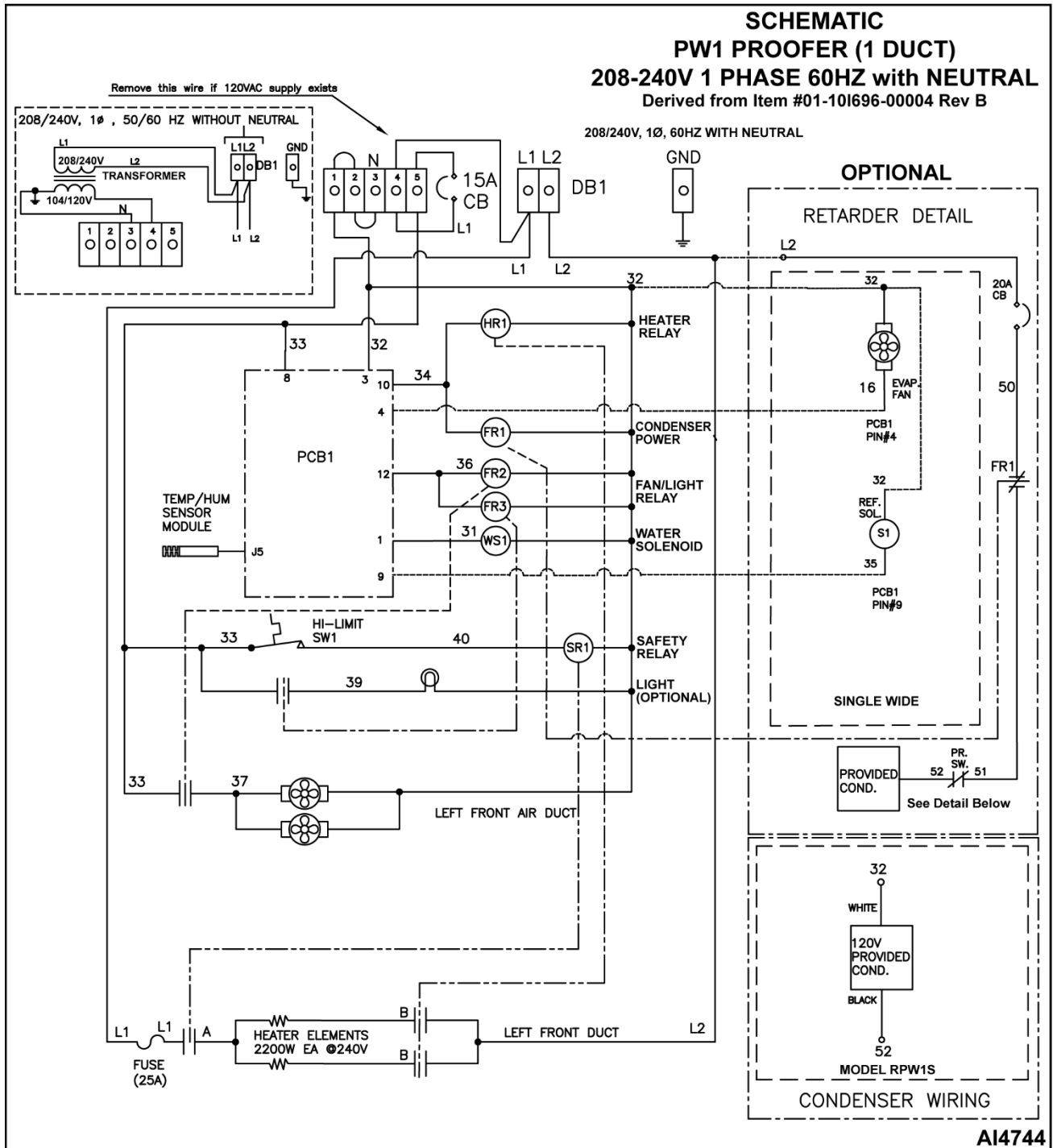


[Proofers and Retarder/Proofers  
Features Video](#)

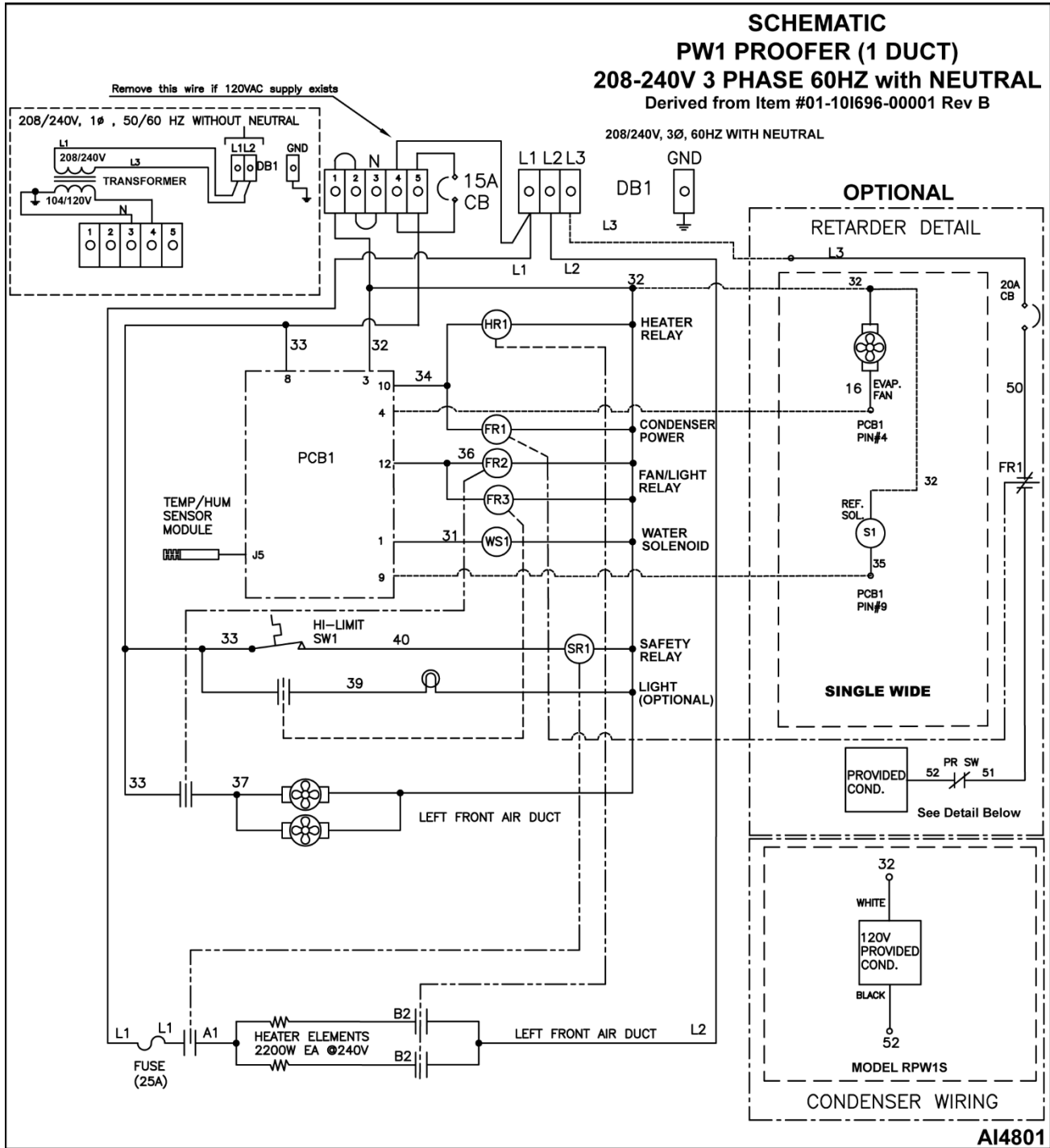


# Schematics

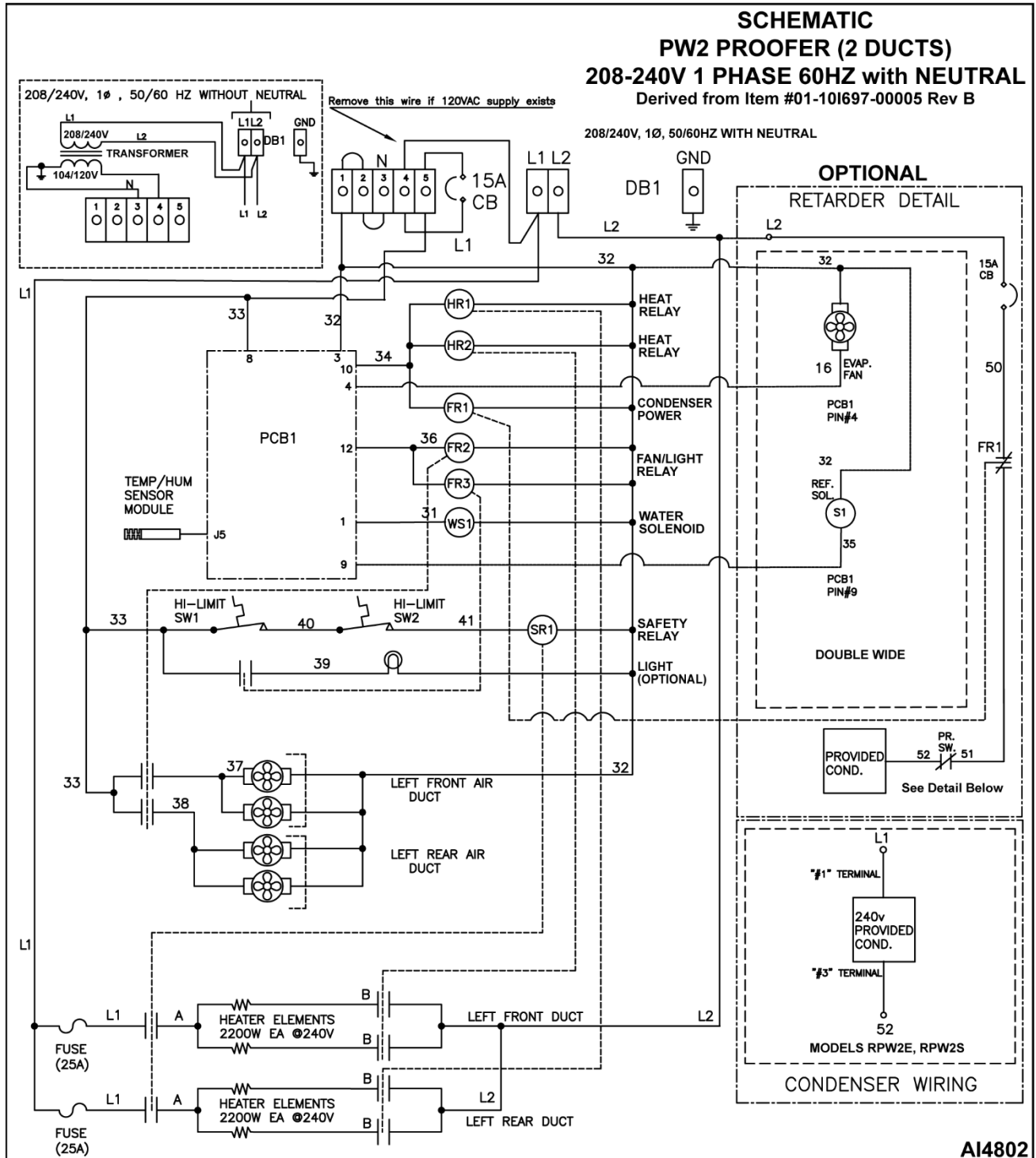
## PW1 Proofer Schematic (1 Duct, 1 Phase)



# PW1 Proofer Schematic (1 Duct, 3 Phase)

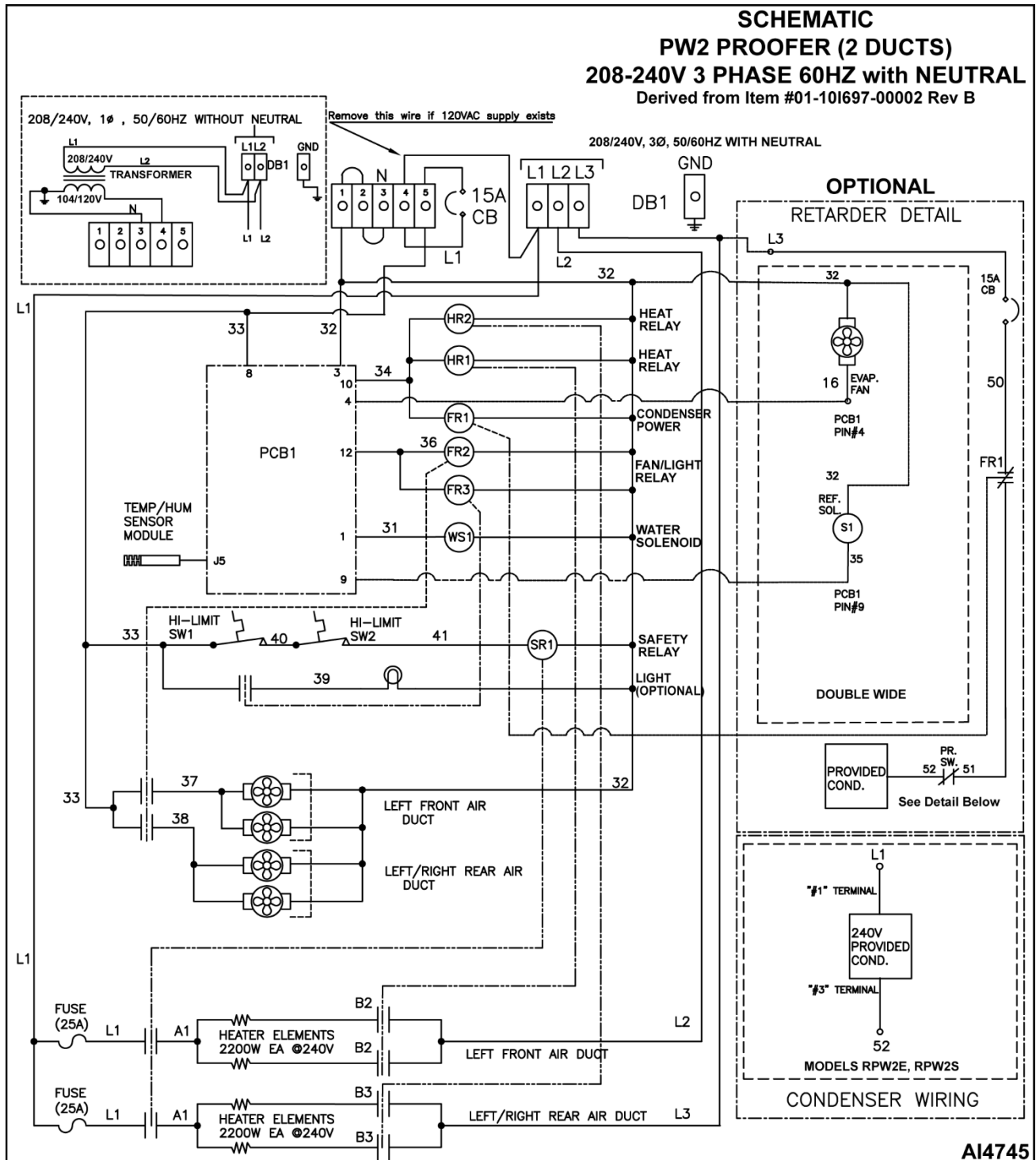


# PW2 Proofer Schematic (2 Ducts, 1 Phase)





# PW2 Proofer Schematic (2 Ducts, 3 Phase)



# Troubleshooting

<b>Symptom</b>	<b>Corrective Action</b>
Machine will not turn on.	<ol style="list-style-type: none"><li>1. Make sure that the power cord is plugged in.</li><li>2. Verify that the main power supply is on.</li><li>3. Contact your local authorized service office.</li></ol>
Machine will not heat up.	<ol style="list-style-type: none"><li>1. Verify that the temperature is set properly.</li><li>2. Contact your local authorized service office.</li></ol>
Machine will not humidify air.	<ol style="list-style-type: none"><li>1. Verify that the humidity is set properly.</li><li>2. Verify that the water supply is turned on to the equipment.</li><li>3. Contact your local authorized service office.</li></ol>
Machine will not cool.	<ol style="list-style-type: none"><li>1. Verify that the temperature is set properly.</li><li>2. Contact your local authorized service office.</li></ol>

# Hobart Online Parts Store

Order parts by clicking on image below to reach our Hobart Service Parts Store.

<http://www.hobartparts.com>

Welcome !

CONTACT US LOGIN

**HOBART** GENUINE PARTS

Enter Keyword or Part #

0 Product(s)

HOME SHOP BY BRAND SHOP BY EQUIPMENT TRACK MY ORDER PART MANUALS SERVICE MANUALS ABOUT US

INDUSTRY'S LARGEST  
**OEM PARTS INVENTORY**  
40,000+ PARTS IN STOCK

By continuing to browse or by clicking "Accept All Cookies," you agree to the storing of first- and third-party cookies on your device to enhance site navigation, analyze site usage, and assist in our marketing efforts. [Cookie Policy](#) **ACCEPT ALL COOKIES**

Chat

# Parts Catalog

Click on image below for most recent edition.

[PW Proofers and RPW Retarder/Proofers Catalog of Replacement Parts](#)

